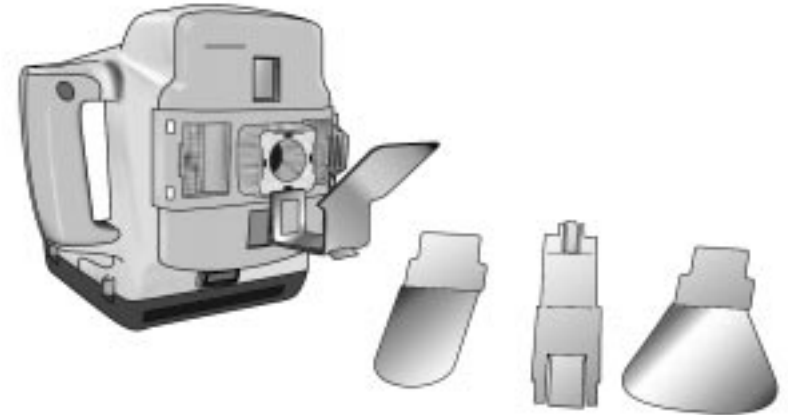
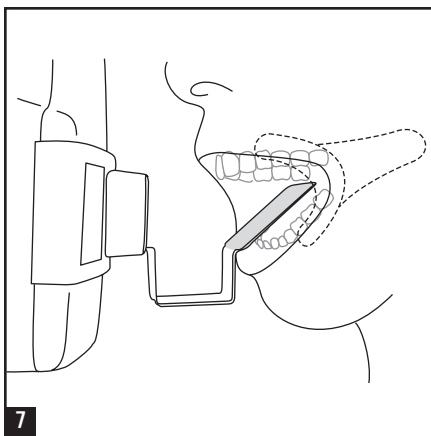
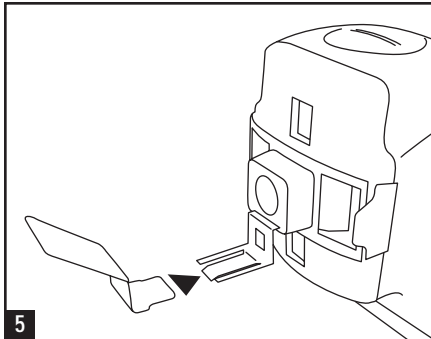
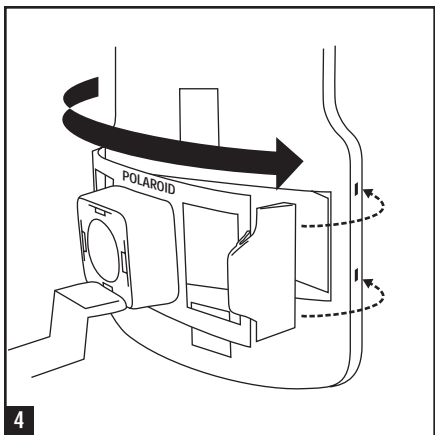
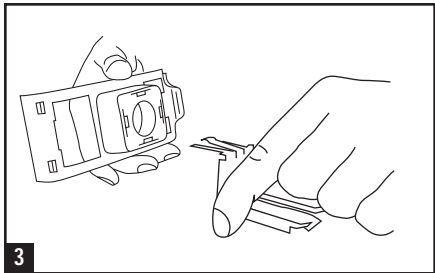
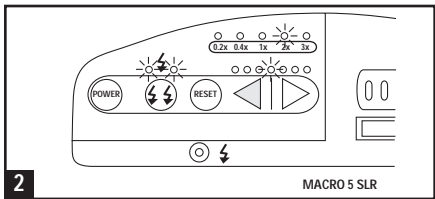
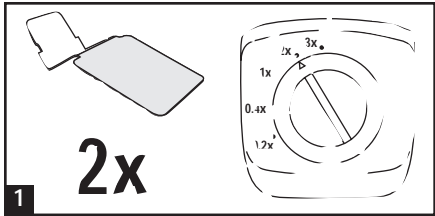
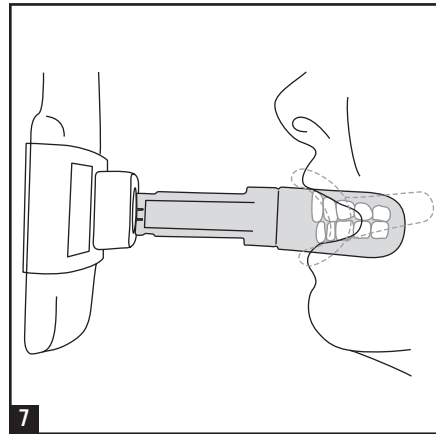
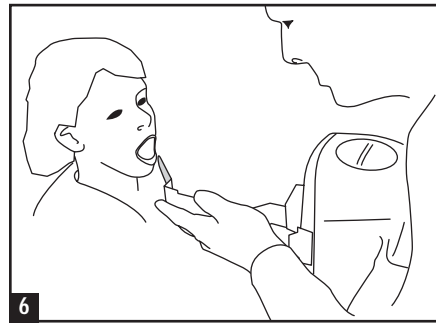
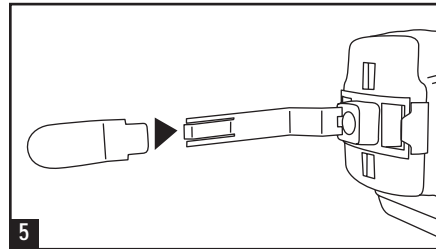
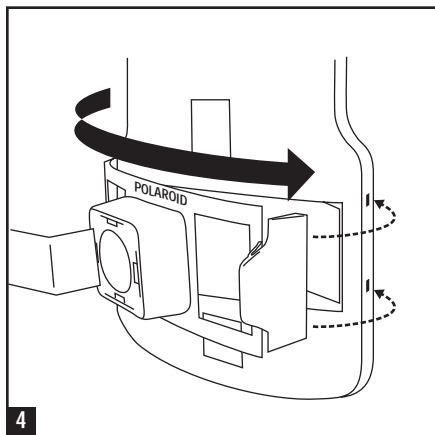
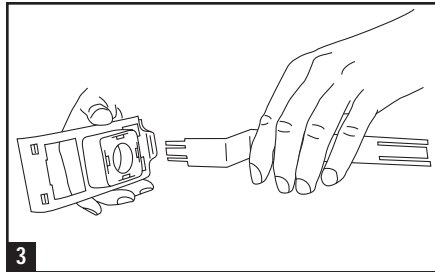
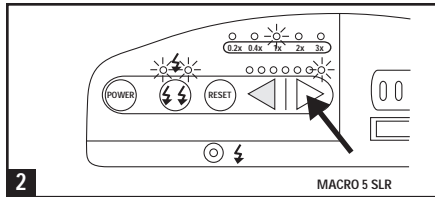
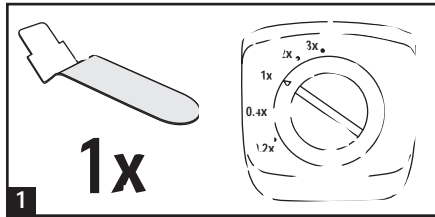


Occlusal



IntraOral Dental Kit

Buccal



Palatal

