

#### FCC PART 15 CLASS B REGISTRATION WARNING

This equipment generates and uses radio frequency energy and, if not installed and used properly, that is, in strict accordance with the manufacturer's instructions, may cause interference with radio and television reception. It has been type-tested and found to comply with the limits for a Class B computing device in accordance with the specification in Subpart B of Part 15 of FCC Rules and Regulations, which is designed to provide reasonable protection against such interference in a residential installation. If this equipment does cause interference to radio or television reception, which can be determined by turning the equipment off and on, the user is encouraged to try to correct the interference by one or more of the following measures: (1) Reorient the receiving antenna (2) Relocate the computer with respect to the receiver (3) Move the computer away from the receiver (4) Plug the computer into a different outlet so that the computer and receiver are on different branch circuits. If necessary, the user should consult the dealer or an experienced radio/television professional for additional suggestions. The Federal Communications Commission produces a booklet: How to Identify and Resolve Radio-TV Interference Problems, which the user may find helpful. This booklet is available from the U.S. Government printing office, Washington, DC 20402. Stock No. 004-000-00345-4

Shielded cables and certified Class B peripherals must be used with this product. Using unshielded cables or uncertified peripherals may result in this unit being out of compliance with the FCC Rules Part 15.

Changes or modifications not expressly approved by the manufacturer could void the user's authority to operate this equipment.

This device complies with Part 15 of the FCC Rules & Regulations. Operation is subject to the following two conditions: (1) this device may not cause harmful interference, and (2) this device must accept any interference received, including interference that may cause undesired operation.

#### COPYRIGHT

Part number 3307-0039, version 2.0

Copyright 2000, ConnectCom Solutions, Inc., all rights reserved. No part of this publication may be reproduced, stored in a retrieval system, or transmitted in any form or by any means (electronic, mechanical, photocopying, recording or otherwise) without the prior written consent of ConnectCom Solutions, Inc., 1150 Ringwood Court, San Jose, CA 95131.

#### TRADEMARKS

AdvanSys and ConnectCom Solutions are trademarks of ConnectCom Solutions, Inc., registered in the U.S. and other countries. All other trademarks used belong to their respective owners.

#### CHANGES

The information in this Quick Installation Guide is furnished for informational use only and is subject to change without prior notice. ConnectCom Solutions, Inc. reserves the right to make changes in the product design or product improvements without reservations and without notification to its users. ConnectCom Solutions, Inc., assumes no responsibility or liability for any errors or inaccuracies that may appear in this document.



ConnectCom Solutions, Inc.  
1150 Ringwood Court  
San Jose, CA 95131  
U.S.A.

#### Technical Support:

(408) 467-2930, Monday – Friday 8.00 AM – 6.00 PM (PST)  
Email: Support@connectcom.net  
Internet: www.connectcom.net

# SCSI for the MAC

## Quick Install Guide

English  
Spanish  
French  
Italian  
Portuguese  
German  
Dutch  
Russian  
Korean  
Traditional Chinese  
Simplified Chinese  
Japanese



Featuring  
**CharisMac™**  
**Software**



3307-0039 (Ver. 2.0)

# Hardware Installation

## INTRODUCTION

This Quick Install Guide will provide you with an easy reference to install your AdvanSys SCSI host adapter.

## INSTALLING YOUR ADVANSYS HOST ADAPTER

1. Turn off your computer power.
2. Remove the chassis cover to access the PCI expansion slots.
3. Select an unused PCI expansion slot.
4. Remove the bracket from the selected expansion slot.
5. Align the bus connector on the bottom of the host adapter with the available expansion slot connector.
6. Insert your AdvanSys host adapter firmly into the slot; make sure the adapter is plugged in completely.
7. Attach the host adapter bracket to the chassis with the expansion slot cover screw. *Note: your Mac may not have a hole for mounting screws.*

## CONNECTING SCSI DEVICES

Install your internal and external SCSI devices according to the manufacturer's installation instructions.

Please use the following steps to connect SCSI devices mounted inside your computer.

1. Use the internal SCSI cable included with your AdvanSys host adapter to connect your SCSI devices (*note: for some packaging, internal cable may not be included*), or use an internal cable that supports the number of devices you wish to connect. If no internal SCSI devices are being used, do not connect the internal SCSI ribbon cable.
2. Connect the colored edge of the SCSI ribbon cable to the side of the internal SCSI connector marked with an arrow ▼ (pin# 1). *See Figure A.*
3. Connect any internal SCSI devices with the colored side of the SCSI ribbon cable to pin 1 of each device.
4. Add new SCSI devices individually and check to make sure each runs properly before adding the next one. Multiple SCSI devices connected by a SCSI bus (cable) form a SCSI chain, so signals can be transmitted properly across the SCSI bus. The device at the end of the SCSI chain must be properly terminated. The connector at the end of the SCSI ribbon cable should plug into an actively terminated device or an active terminator. *See Figure B.*

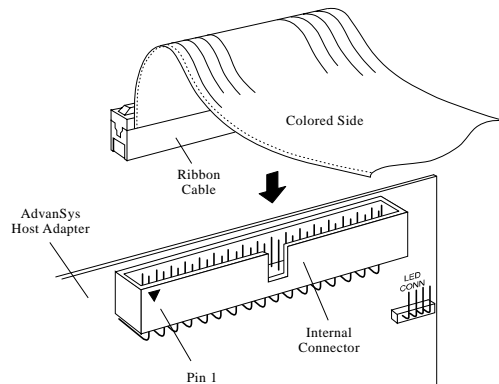


Figure A: Connecting the internal SCSI ribbon cable to your AdvanSys Host Adapter

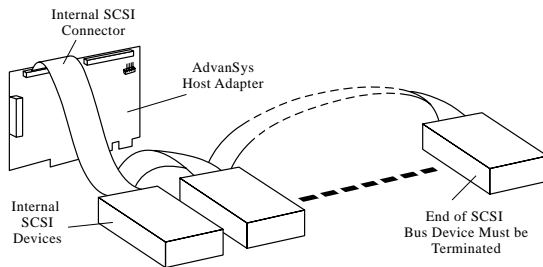


Figure B: Connecting internal SCSI devices to the AdvanSys Host Adapter

Please use the following steps to connect external SCSI devices to your AdvanSys host adapter.

1. Turn off your computer power.
2. Attached the connector for your external SCSI cable to the external connector of the AdvanSys host adapter. *Note: Pin 1 orientation is automatic since external cables can only be plugged in one way.*
3. Plug the second end of the cable into one of the SCSI connectors at the back of your external SCSI device.
4. Add new SCSI devices individually and check to make sure each runs properly before adding the next one. Multiple SCSI devices connected by a SCSI bus (cable) form a SCSI chain, so signals can be transmitted properly across the SCSI bus. The device at the end of the SCSI chain must be properly terminated. The connector at the end of the SCSI cable should plug into an actively terminated device or an active terminator. *See Figure C or Figure D.*

#### ASSIGNMENT OF SCSI IDs

Each SCSI peripheral device connecting to the AdvanSys host adapter (including the host adapter itself) must be assigned its own unique SCSI ID. The default setting for the AdvanSys host adapter is SCSI ID 7.

#### REASSEMBLING AND RESTARTING YOUR COMPUTER

1. Follow the instructions in your system documentation, and replace the chassis cover.
2. Make sure all power switches are powered off. Then reconnect the power cable to your computer.
3. Turn on your computer and its peripheral devices.

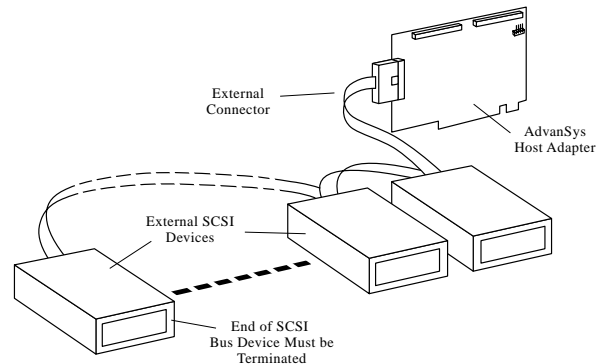


Figure C: Connecting external SCSI devices to your AdvanSys Host Adapter

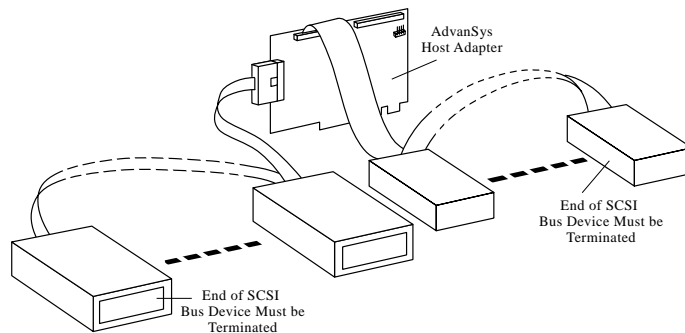


Figure D: Connecting internal and external SCSI devices to your AdvanSys Host Adapter

# Software Installation

## BASIC REQUIREMENTS

On a PowerMac, G3 or G4, use an operating system that is Mac OS 7.5 or higher.

## INSTALLING ADVANSYS AUTO INSTALLER PROGRAM

1. Insert the AdvanSys CD into your CD-ROM drive.
2. Double-click the AdvanSys CD icon.
3. Double-click the AdvanSys Utility Installer icon.
4. At the Installer window, click Install. The program will copy all associated programs into the AdvanSys folder, which is created automatically by the program.
5. At the "Installation was successful" message, click Quit.

## INSTALLING SIM DRIVER (applicable to only AdvanSys ABP915 host adapter)

*This installation is only applicable to AdvanSys ABP915 host adapter, which has no on-board firmware. For all other AdvanSys host adapters without bios firmware, please refer to the "Readme" file in the AdvanSys CD for installation instruction.*

1. After you have installed the AdvanSys Auto Installer Program, double-click the AdvanSys folder installed on your computer.
2. Double-click the HP folder.
3. Double-click the "HP SIM 1.18 Installer" icon.
4. At the Installer window, click Install. The SIM driver will automatically load into Extensions folder in the System Folder.
5. When finished, click Quit.
6. Restart your computer to activate the SIM driver.

## FIRMWARE UPDATER INSTALLATION (optional for bootability function)

*This installation is only necessary if you would like to boot your computer from the AdvanSys host adapter.*

We have different firmware updaters which provide bootability function to the different type of AdvanSys host adapters. If you are not sure which one to install with your AdvanSys host adapter, please refer to the "Readme" file in the AdvanSys CD for more information.

## CHARISMAC ANUBIS MACINTOSH UTILITY INSTALLATION (optional for SCSI Disks)

*This installation is only necessary if you would like to install CharisMac Anubis Utility to manage all of your SCSI storage devices in an easy and efficient way.*

1. After you have installed the AdvanSys Auto Installer Program, double-click the AdvanSys folder installed on your computer.
2. Double-click the CharisMac folder.
3. Double-click the Anubis Extension Installer icon.
4. At the Installer window, click Install. The installation process will take less than a minute to complete.
5. At the "Installation was successful" message, click Quit.
6. You may proceed to the next section to install the CharisMac CD-ROM Utility. *Note: Please refer to Anubis\_Manual.pdf provided on the CD for instructions on how to use this utility.*

## CHARISMAC CD-ROM AUTO-CACHE UTILITY INSTALLATION (optional for SCSI CD-ROMs)

*This installation is only necessary if you would like to install CD-ROM Auto-Cache Utility to enhance your CD-ROM performance.*

1. Double-click the Auto-Cache Extension Installer
2. At the installation window, click Install. The installation process will take less than a minute to complete.
3. At the "Installation was successful" message, click Quit.
4. Restart your computer to activate the changes. *Note: Please refer to CD-ROM\_Manual.pdf provided on the CD for instructions on how to use this utility.*

## BIOS FIRMWARE UPGRADES

The technology behind personal computers and their related peripherals and software are always advancing to offer higher performance, more features and the ability to connect to a growing list of peripherals. As a result, there may be software and/or firmware updates available for your AdvanSys product to allow it to stay current with the latest updates and enhancements. Our web site address at <http://www.connectcom.net/support/index.html> will help you to determine if your AdvanSys product has the latest software drivers and/or BIOS firmware. For G3 and G4 users, please also visit our web site for bootable firmware.

*We at ConnectCom thank you for purchasing an AdvanSys product.  
We strive to provide the best in performance, ease of use, quality and value.*